

ALL DIMENSIONS IN MM

SIEMENS

THIS DRAWING HAS BEEN PRODUCED USING AN EXAMPLE
TEMPLATE PROVIDED BY SIEMENS PLM SOFTWARE

FIRST ISSUED	10.08.2013	TITLE		
DRAWN BY	Spring			
CHECKED BY				
APPROVED BY				
		SIZE	DRG NO.	SHEET REV
		A4	Adapter_Fuehrungswagen	A
		SCALE 1:1	SHEET 1 OF 2	

Adapter zur Befestigung am Schienenwagen		
Adapter_Fuehrungswagen		
SHEET 1 OF 2		

A
B
C
D

A
B
C
D

1

2

3

4

1

2

3

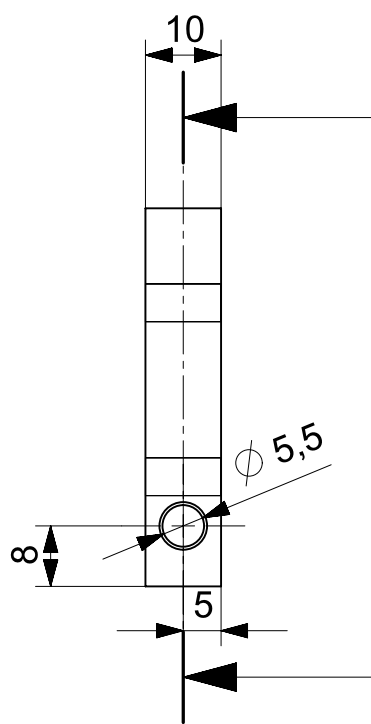
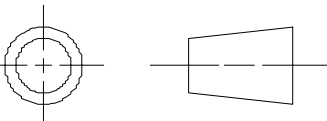
4

1

2

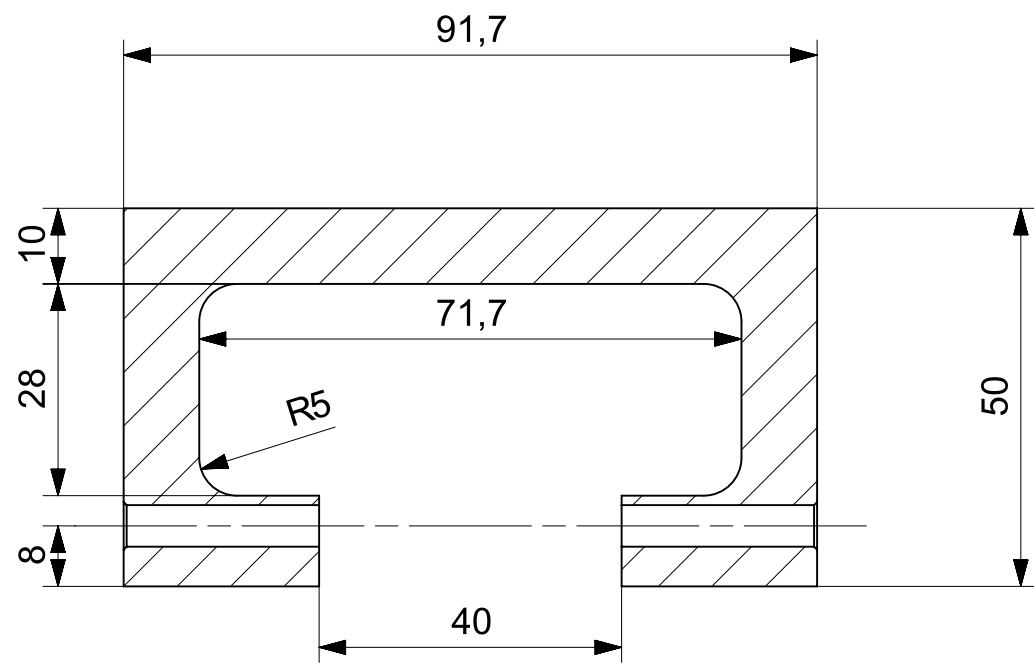
3

4



A

A



SECTION A-A

SIEMENS

THIS DRAWING HAS BEEN PRODUCED USING AN EXAMPLE
TEMPLATE PROVIDED BY SIEMENS PLM SOFTWARE

FIRST ISSUED	07.08.2013
DRAWN BY	Lahnstein
CHECKED BY	
APPROVED BY	

TITLE		
Arretierung		
SIZE	DRG NO.	SHEET REV
A4	Wagenanschlag_Jonas	A
SCALE 1:1	SHEET 1 OF 1	

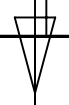
ALL DIMENSIONS IN MM

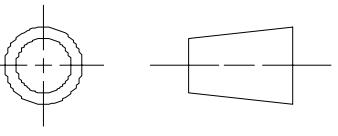
1

2

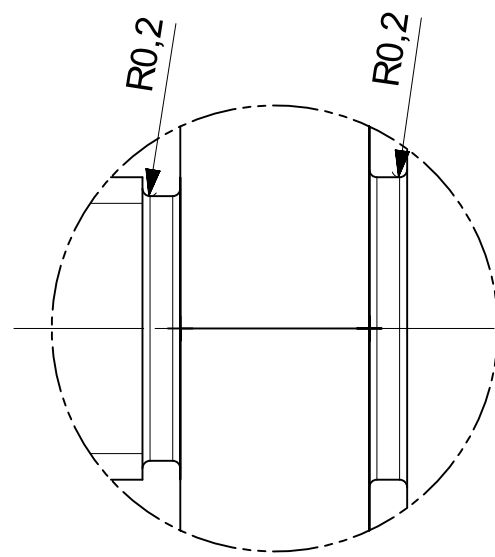
3

4

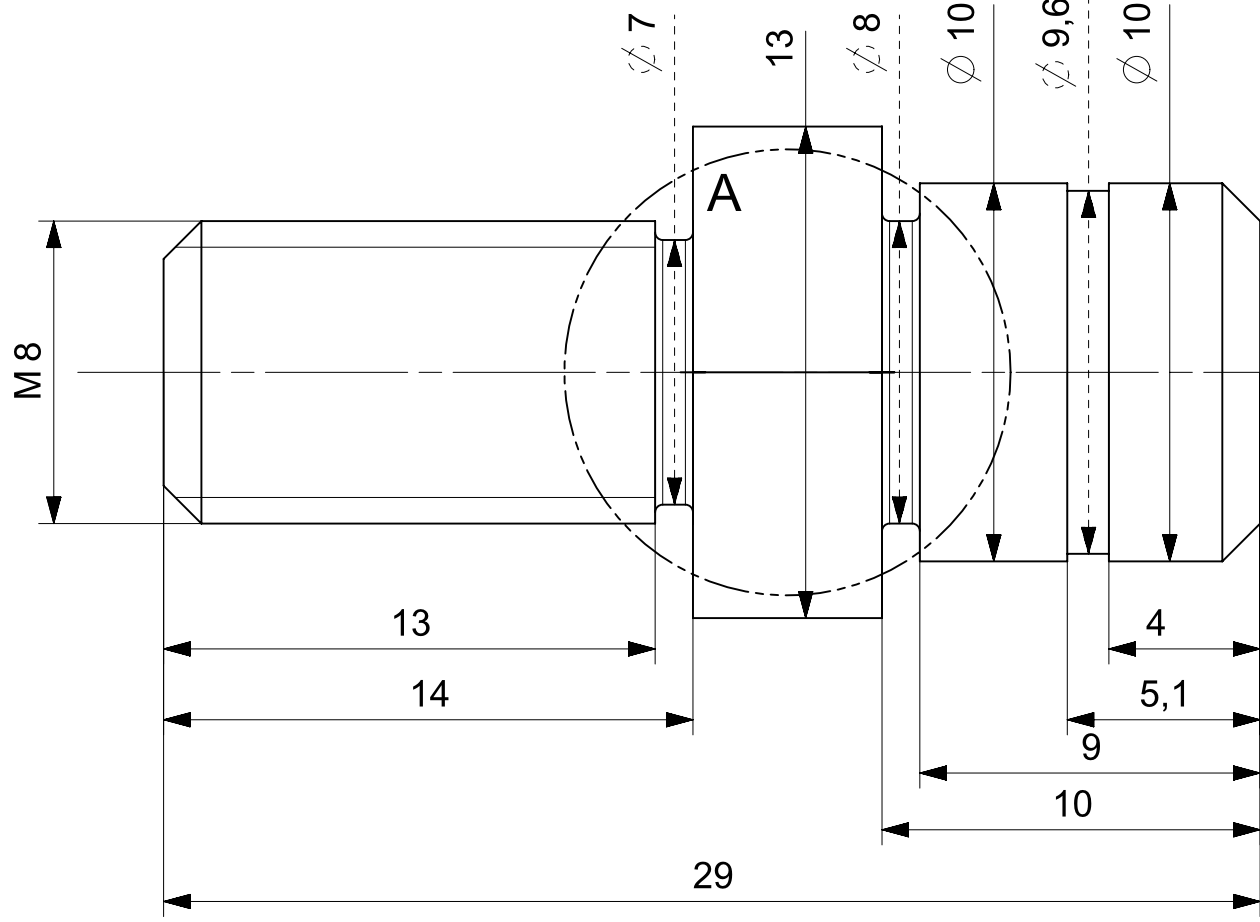




Sechskant für
Gabelschlüsselweite 13



DETAIL A
SCALE 5:1

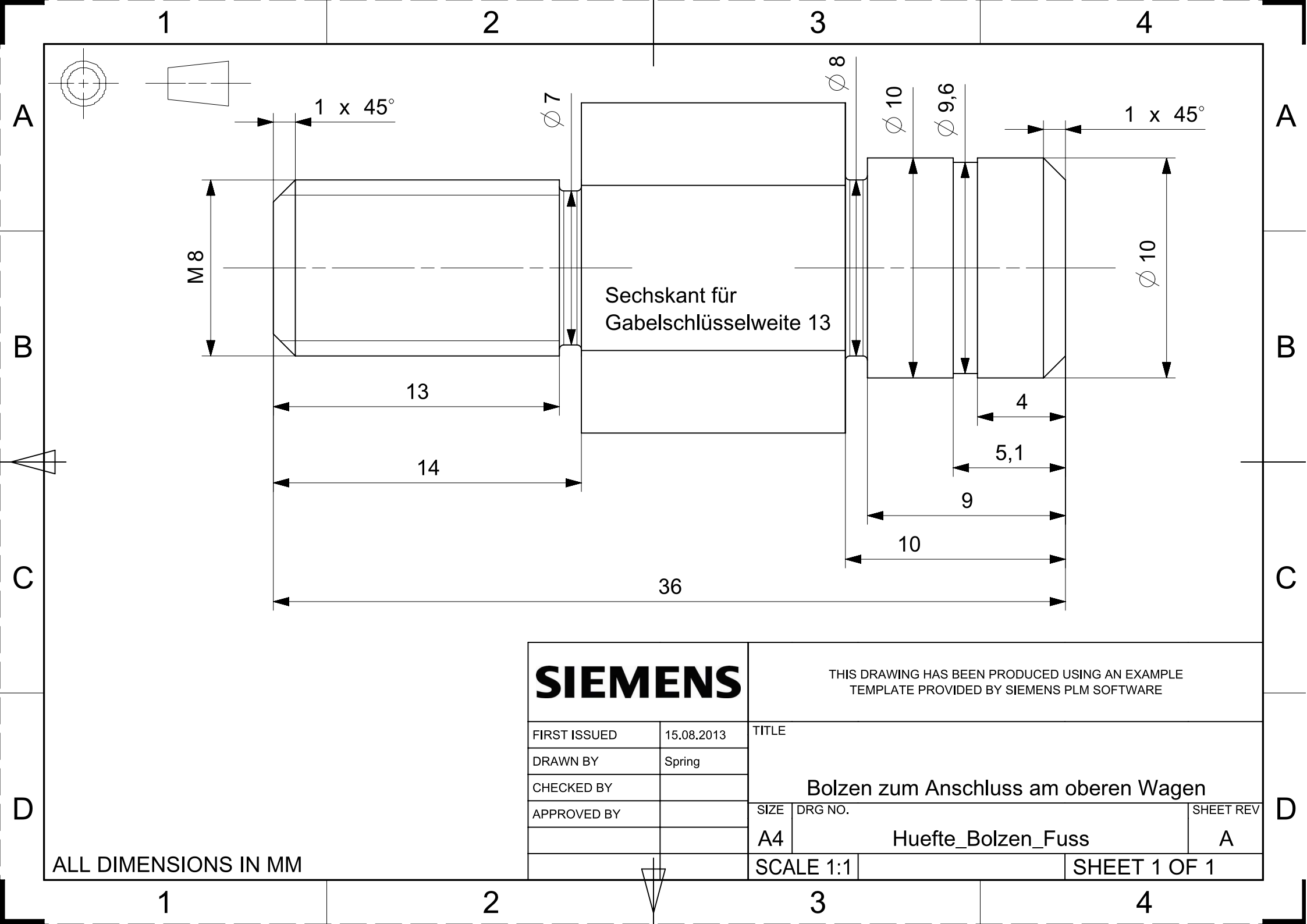


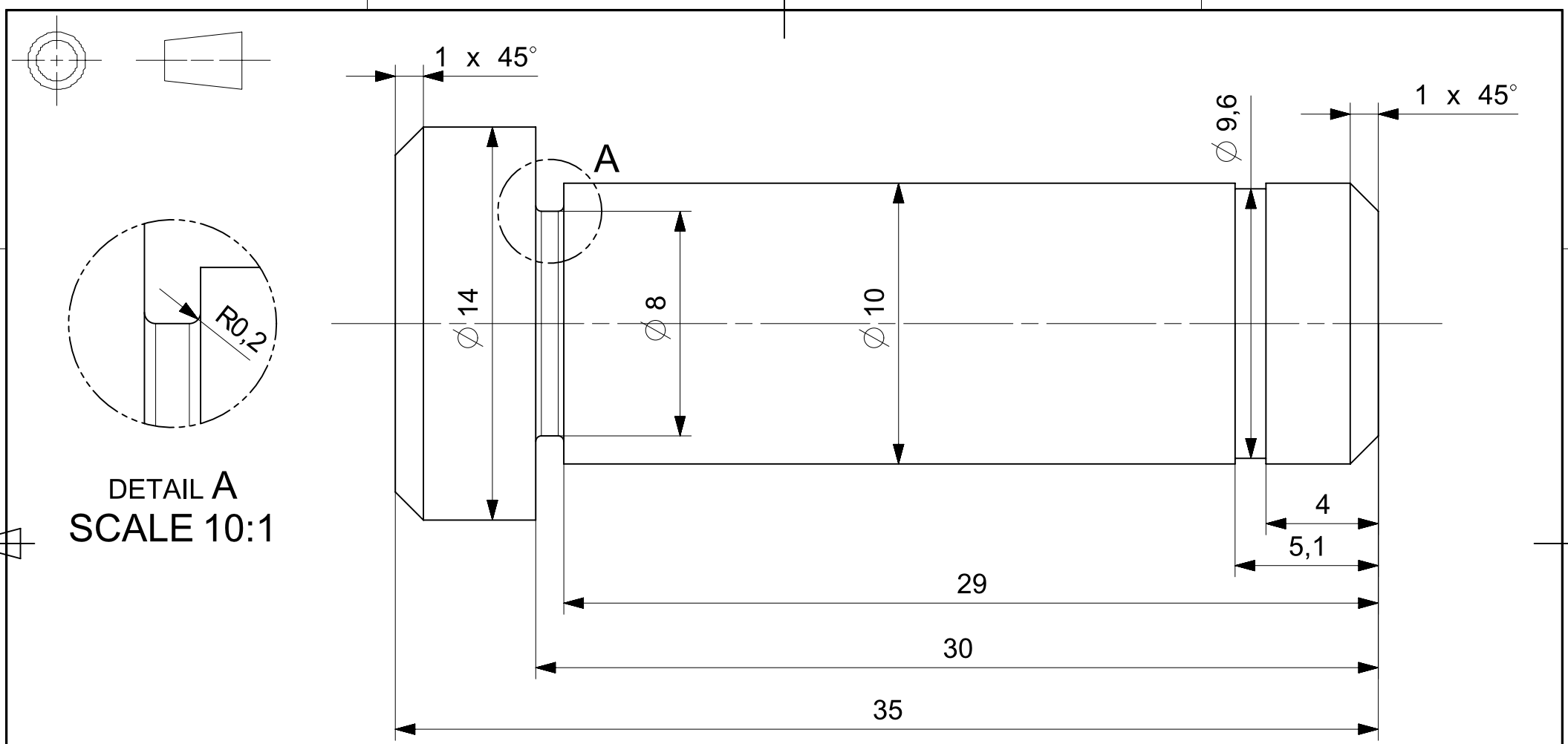
ALL DIMENSIONS IN MM

SIEMENS

THIS DRAWING HAS BEEN PRODUCED USING AN EXAMPLE
TEMPLATE PROVIDED BY SIEMENS PLM SOFTWARE

FIRST ISSUED	10.08.2013	TITLE Bolzen zur Montage am Adapter des unteren Führungswagens		SHEET REV A
DRAWN BY	Spring			
CHECKED BY				
APPROVED BY				
		SIZE A4	DRG NO. Bolzen_Fuss	
		SCALE 1:1	SHEET 1 OF 2	





DETAIL A
SCALE 10:1

SIEMENS

THIS DRAWING HAS BEEN PRODUCED USING AN EXAMPLE
TEMPLATE PROVIDED BY SIEMENS PLM SOFTWARE

FIRST ISSUED	13.08.2013
DRAWN BY	Spring
CHECKED BY	
APPROVED BY	

TITLE		
Bolzen zur Verbindung von Ober- und Unterschenkel		
SIZE	DRG NO.	SHEET REV
A4	Bolzen_Kniegelenk	A
SCALE 1:1	SHEET 1 OF 1	

ALL DIMENSIONS IN MM

1

2

3

4

A

A

B

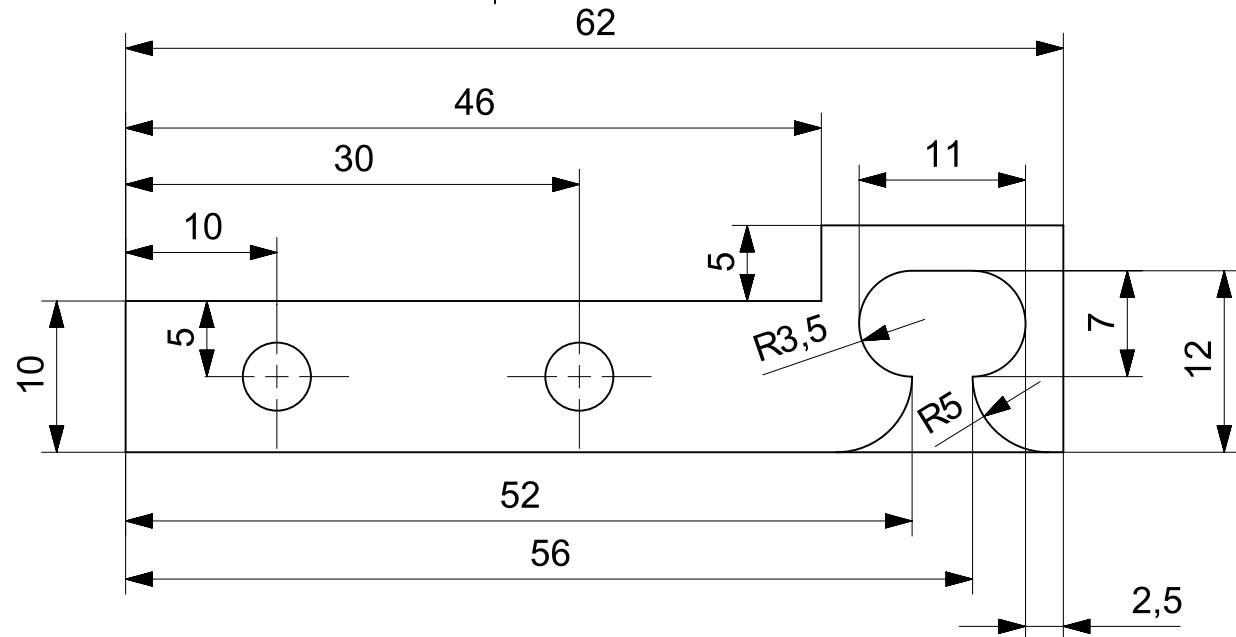
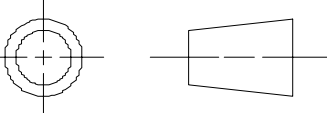
B

C

C

D

D



SIEMENS

THIS DRAWING HAS BEEN PRODUCED USING AN EXAMPLE
TEMPLATE PROVIDED BY SIEMENS PLM SOFTWARE

FIRST ISSUED 12.08.2013

DRAWN BY Spring

CHECKED BY

APPROVED BY

TITLE

SIZE DRG NO. SHEET REV

A4 Bowdenzug_Aufnahme_Oberschenkel_neu A

SCALE 1:1 SHEET 1 OF 2

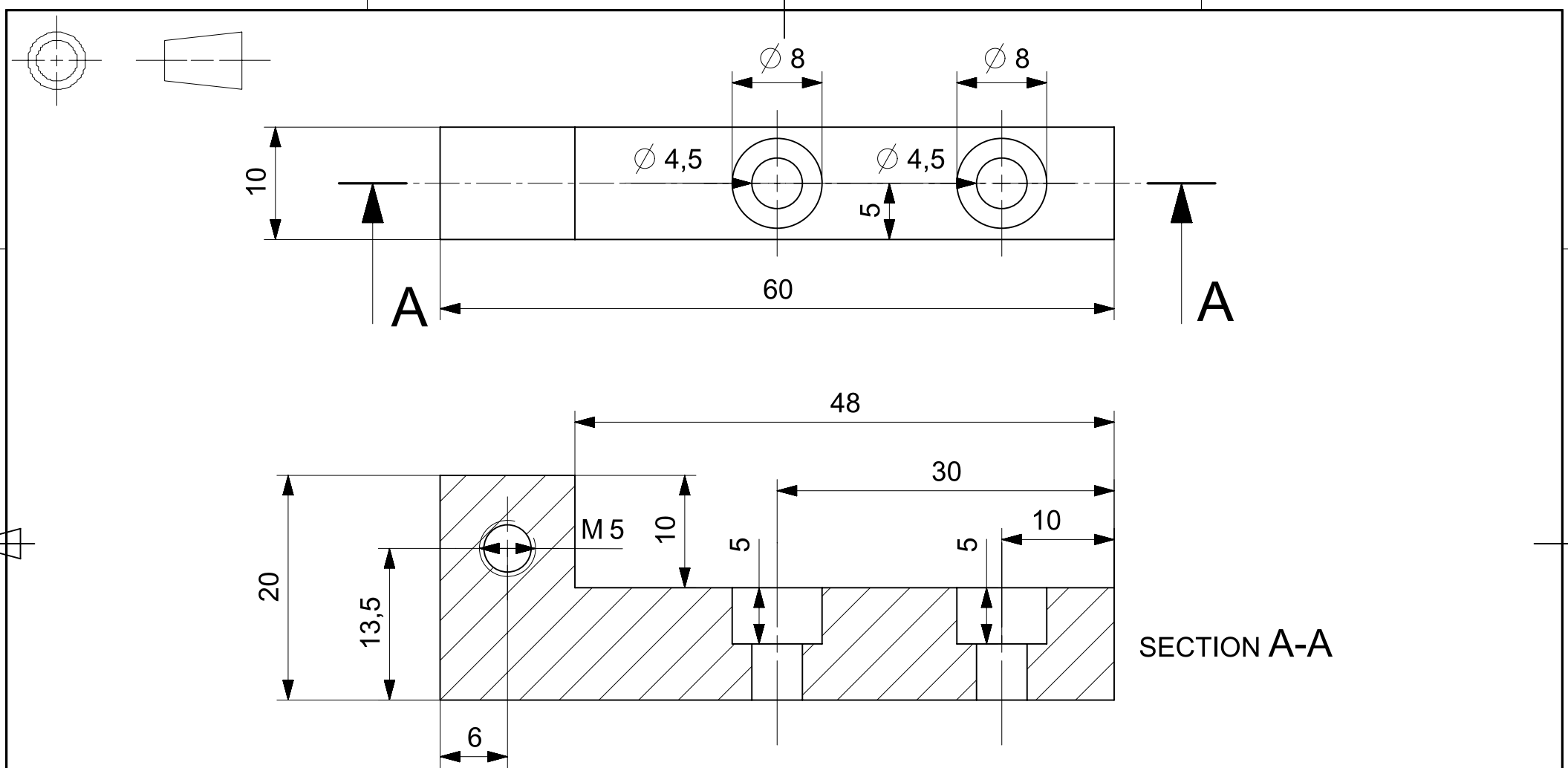
ALL DIMENSIONS IN MM

1

2

3

4



SIEMENS

THIS DRAWING HAS BEEN PRODUCED USING AN EXAMPLE
TEMPLATE PROVIDED BY SIEMENS PLM SOFTWARE

FIRST ISSUED	13.08.2013
DRAWN BY	Spring
CHECKED BY	
APPROVED BY	

TITLE		
Halterung zur Bowdenzugaufnahme am Unterschenkel		
SIZE	DRG NO.	SHEET REV
A4	Bowdenzug_Aufnahme_Unterschenkel	A
SCALE 1:1		SHEET 1 OF 1

ALL DIMENSIONS IN MM

1

2

3

4

A

A

B

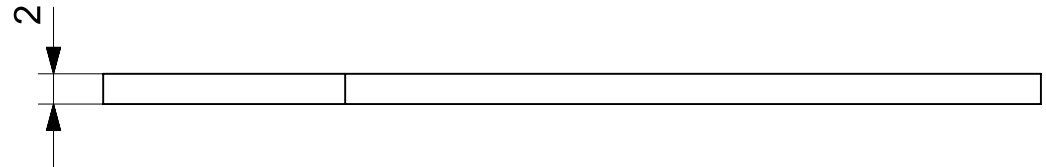
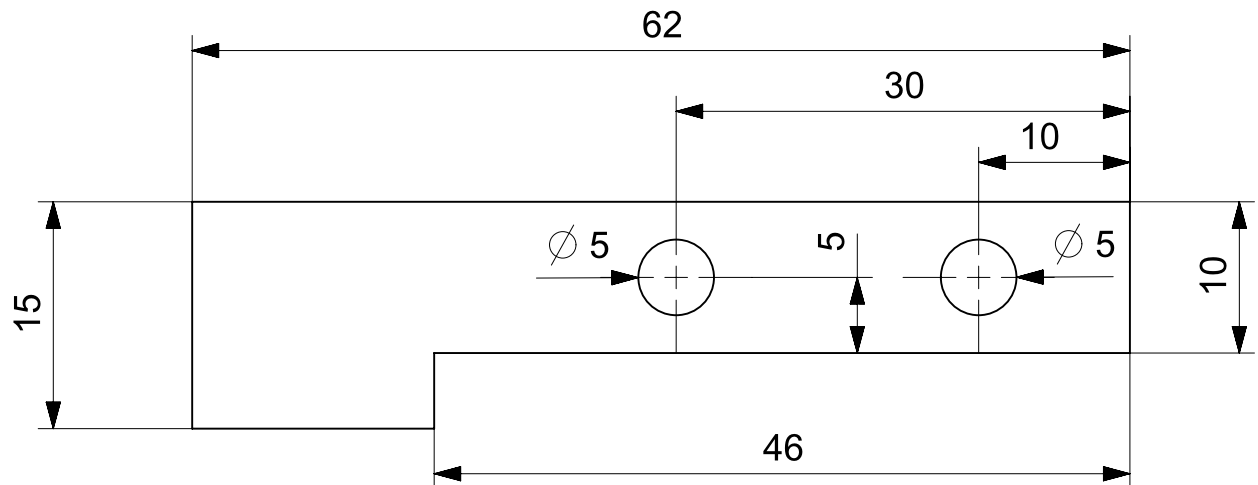
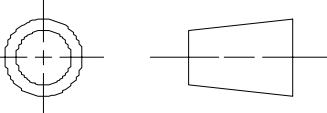
B

C

C

D

D



SIEMENS

THIS DRAWING HAS BEEN PRODUCED USING AN EXAMPLE
TEMPLATE PROVIDED BY SIEMENS PLM SOFTWARE

FIRST ISSUED 14.08.2013

DRAWN BY Spring

CHECKED BY

APPROVED BY

TITLE
**Deckel für die Bowdenzughalterung am
Oberschenkel**

SIZE	DRG NO.	SHEET REV
A4	Deckel_Bowdenzughalterung	A

ALL DIMENSIONS IN MM

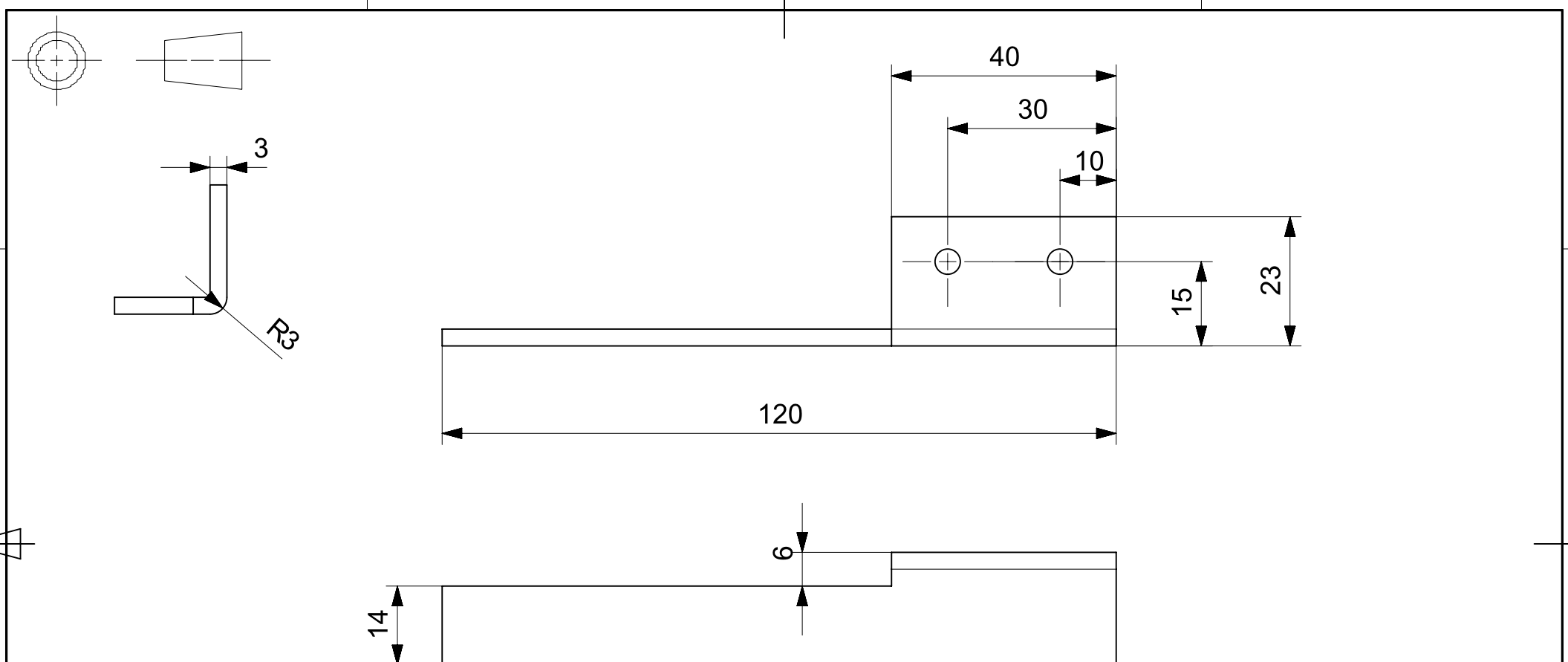
SCALE 1:1 SHEET 1 OF 1

1

2

3

4



SIEMENS		THIS DRAWING HAS BEEN PRODUCED USING AN EXAMPLE TEMPLATE PROVIDED BY SIEMENS PLM SOFTWARE		
FIRST ISSUED	15.08.2013	Übersicherung		
DRAWN BY	Spring			
CHECKED BY				
APPROVED BY				
		SIZE	DRG NO.	SHEET REV
		A4	nase	A
		SCALE 1:1	SHEET 1 OF 2	

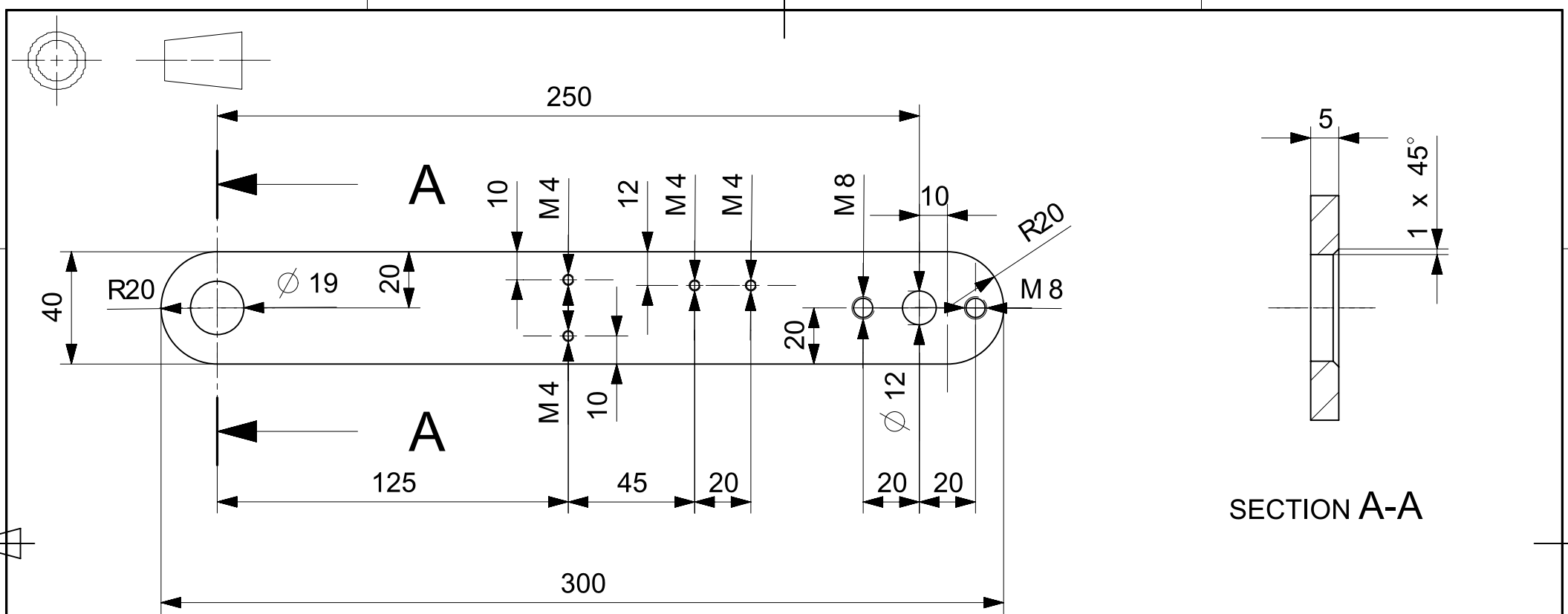
ALL DIMENSIONS IN MM

1

2

3

4



SECTION A-A

SIEMENS		THIS DRAWING HAS BEEN PRODUCED USING AN EXAMPLE TEMPLATE PROVIDED BY SIEMENS PLM SOFTWARE		
FIRST ISSUED	10.08.2013	TITLE		
DRAWN BY	Spring			
CHECKED BY				
APPROVED BY		SIZE	DRG NO.	SHEET REV
		A4	Oberschenkel	A
ALL DIMENSIONS IN MM		SCALE 1:1	SHEET 1 OF 1	

ALL DIMENSIONS IN MM

1

2

3

4

A

A

B

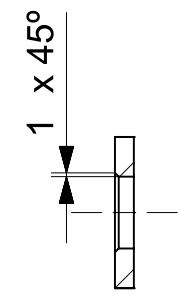
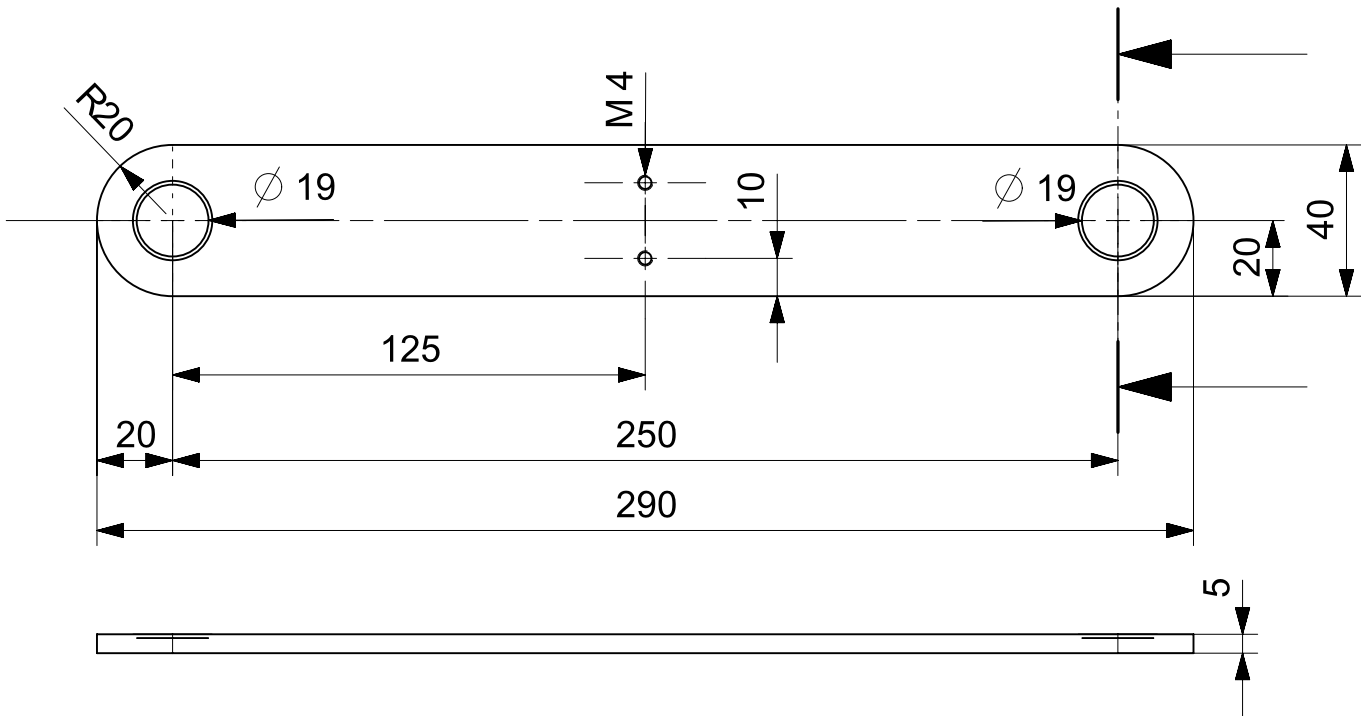
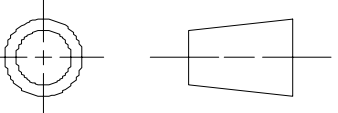
B

C

C

D

D



SECTION A-A

Alle vorhandene Bohrungen sind Durchgangsbohrungen!

SIEMENS

THIS DRAWING HAS BEEN PRODUCED USING AN EXAMPLE TEMPLATE PROVIDED BY SIEMENS PLM SOFTWARE

FIRST ISSUED	10.08.2013
DRAWN BY	Spring
CHECKED BY	
APPROVED BY	

TITLE	
SIZE	DRG NO.
A4	Unterschenkel
SHEET REV	
A	

ALL DIMENSIONS IN MM

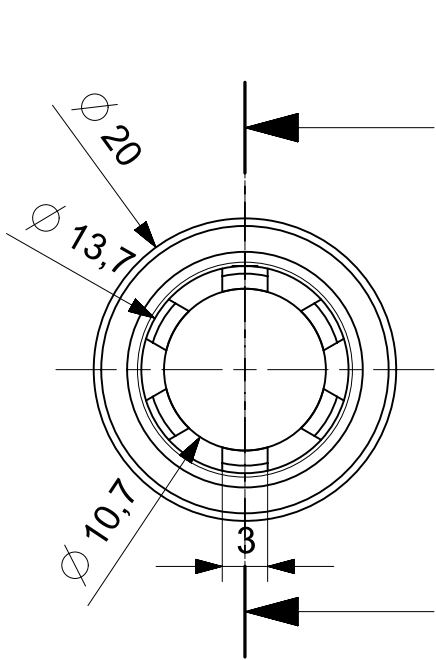
SCALE 1:1 SHEET 1 OF 1

1

2

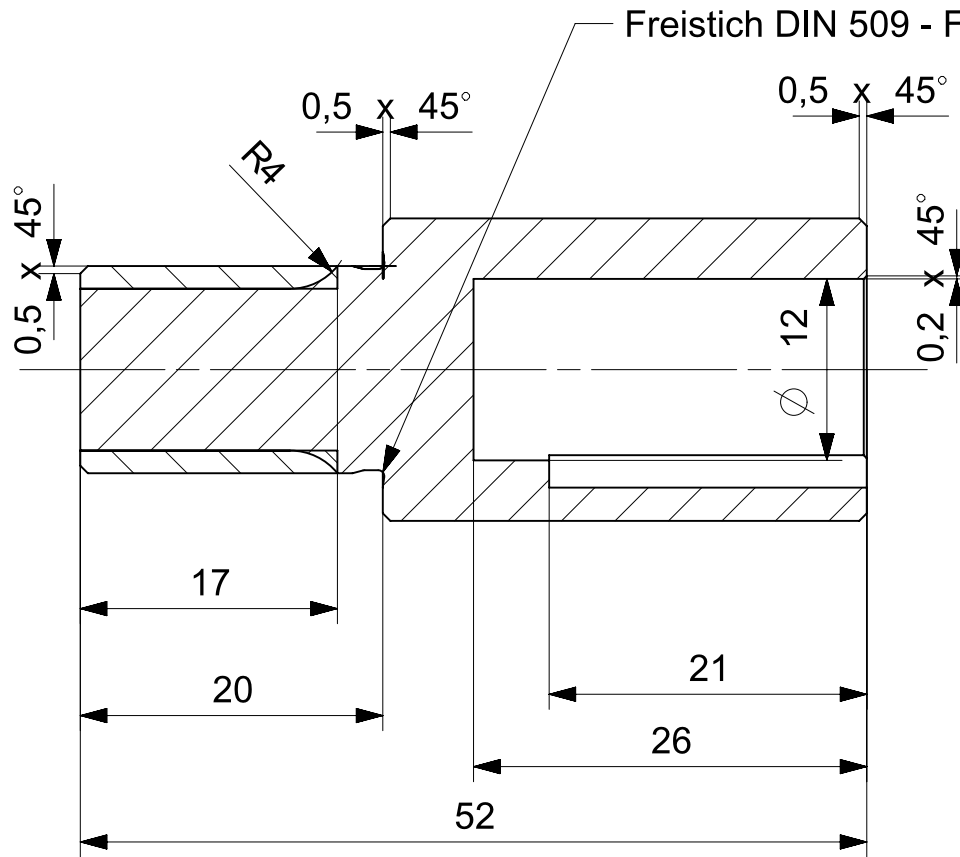
3

4

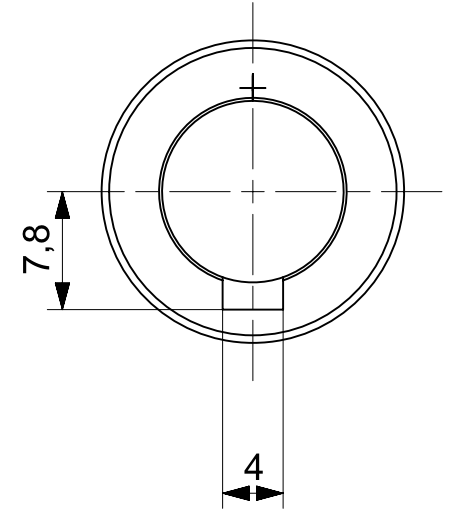


A

A



Freistich DIN 509 - Form F 0,4 x 0,2



SECTION A-A

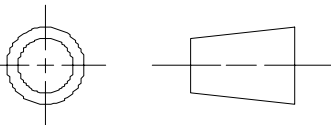
					Masstab		2:1	
					Werkstoff: Stahl C45			
				Datum	Name	Adapter Getriebe - Spindel		
				Bearb.	30.08.13			Lahnstein
					TU Darmstadt IMS		Zeichnungsnummer	
							Blatt 1 von 1	
Zust.	Aenderung	Datum	Name	Urspr.	Ers. f.		Ers. d.	

1

2

3

4



A

A

B

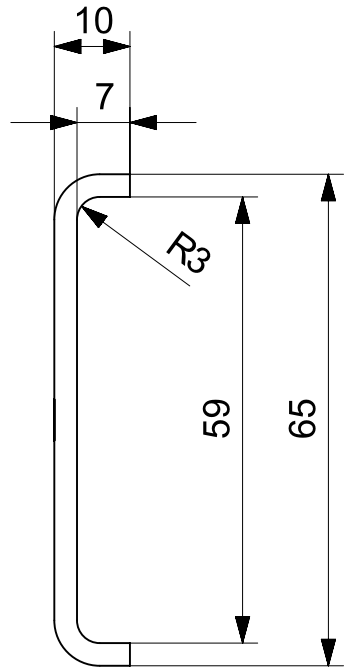
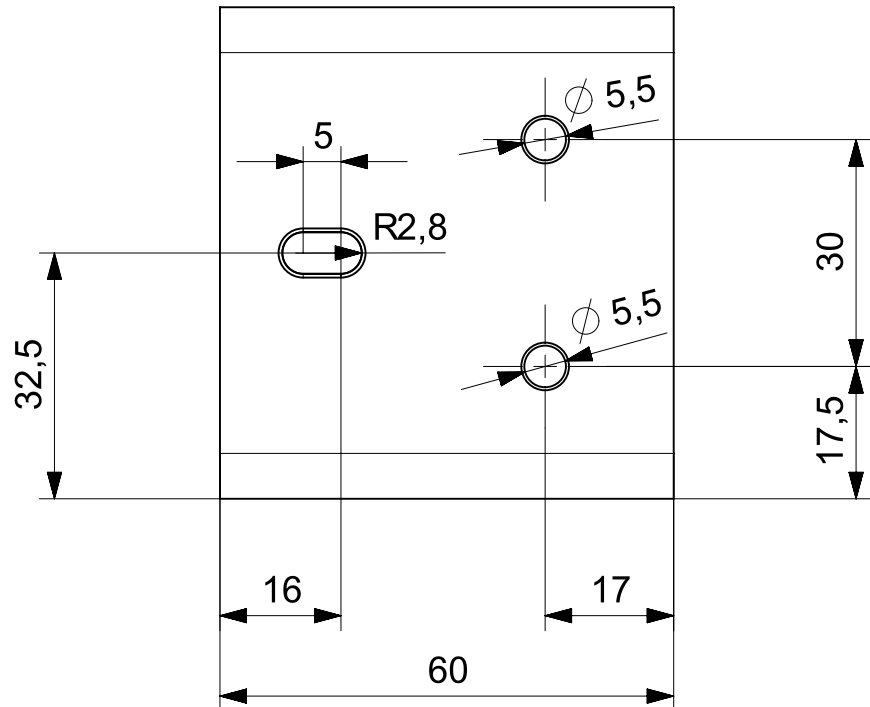
B

C

C

D

D



SIEMENS

THIS DRAWING HAS BEEN PRODUCED USING AN EXAMPLE
TEMPLATE PROVIDED BY SIEMENS PLM SOFTWARE

FIRST ISSUED 20.08.2013

DRAWN BY Lahnstein

CHECKED BY

APPROVED BY

TITLE

Adapter zur Befestigung des Sensors am
Führungswagen

SIZE DRG NO. SHEET REV

A4 Adapter_Sensor_Wagen A

SCALE 1:1 SHEET 1 OF 1

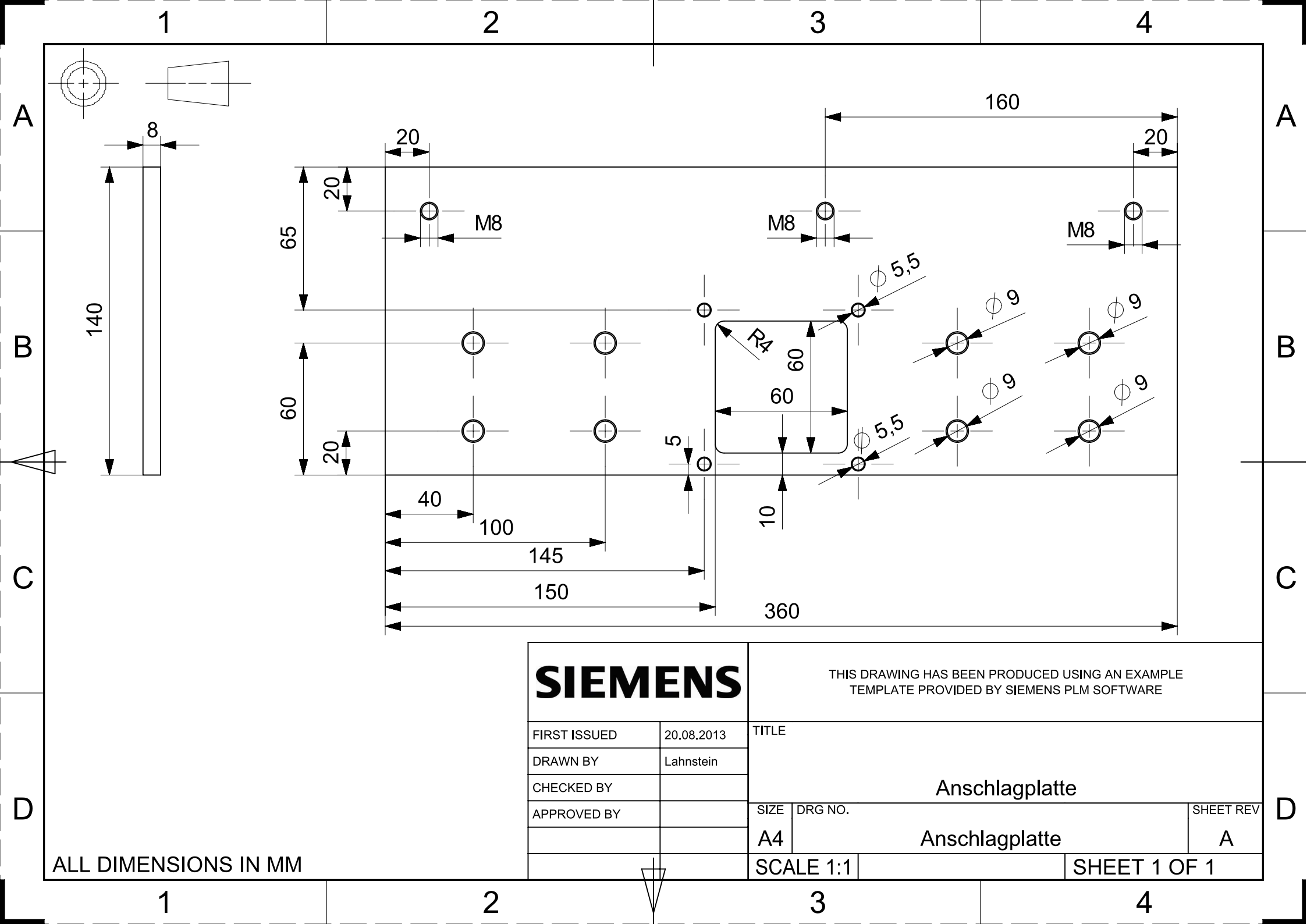
ALL DIMENSIONS IN MM

1

2

3

4

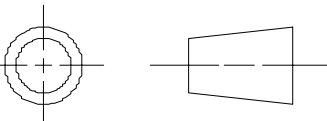


1

2

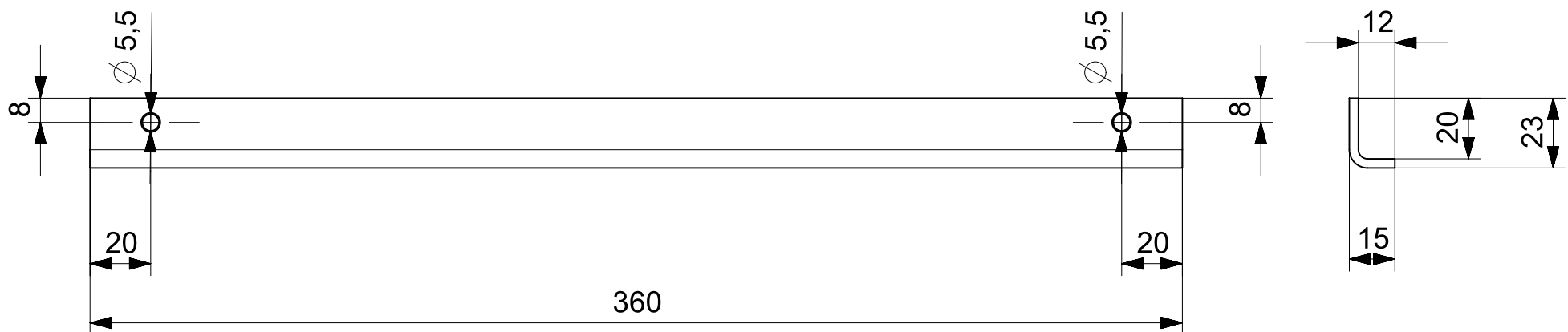
3

4



A

A



B

B

C

C

D

D

SIEMENS

THIS DRAWING HAS BEEN PRODUCED USING AN EXAMPLE
TEMPLATE PROVIDED BY SIEMENS PLM SOFTWARE

FIRST ISSUED 18.08.2013

DRAWN BY Lahnstein

CHECKED BY

APPROVED BY

TITLE

Blech zum Schutz des Führungswagens

SIZE DRG NO. SHEET REV

A4 Anschlag_Blech A

SCALE 1:1 SHEET 2 OF 2

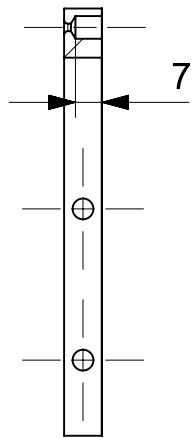
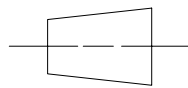
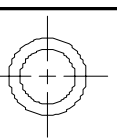
ALL DIMENSIONS IN MM

1

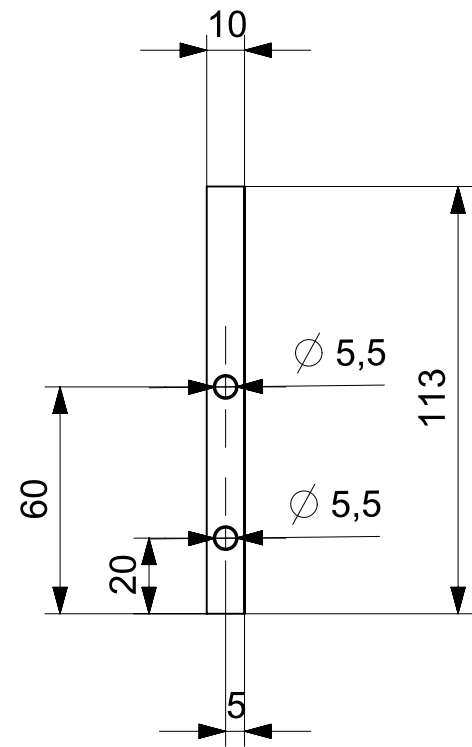
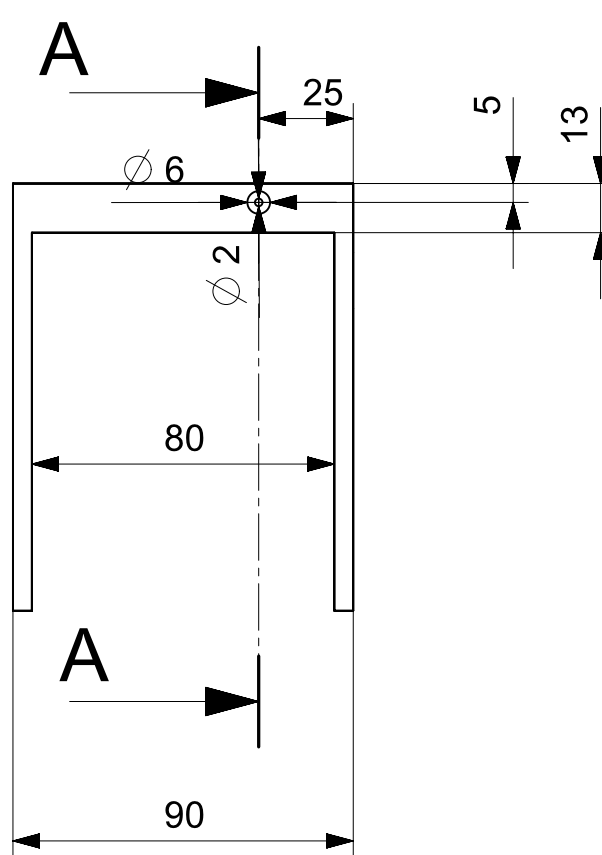
2

3

4



SECTION A-A



SIEMENS

THIS DRAWING HAS BEEN PRODUCED USING AN EXAMPLE
TEMPLATE PROVIDED BY SIEMENS PLM SOFTWARE

FIRST ISSUED 18.08.2013

DRAWN BY Lahnstein

CHECKED BY

APPROVED BY

TITLE

Bowdenzug-Aufnahme auf Aktorseite

SIZE DRG NO.

A4

Aufnahme_Bowdenzug

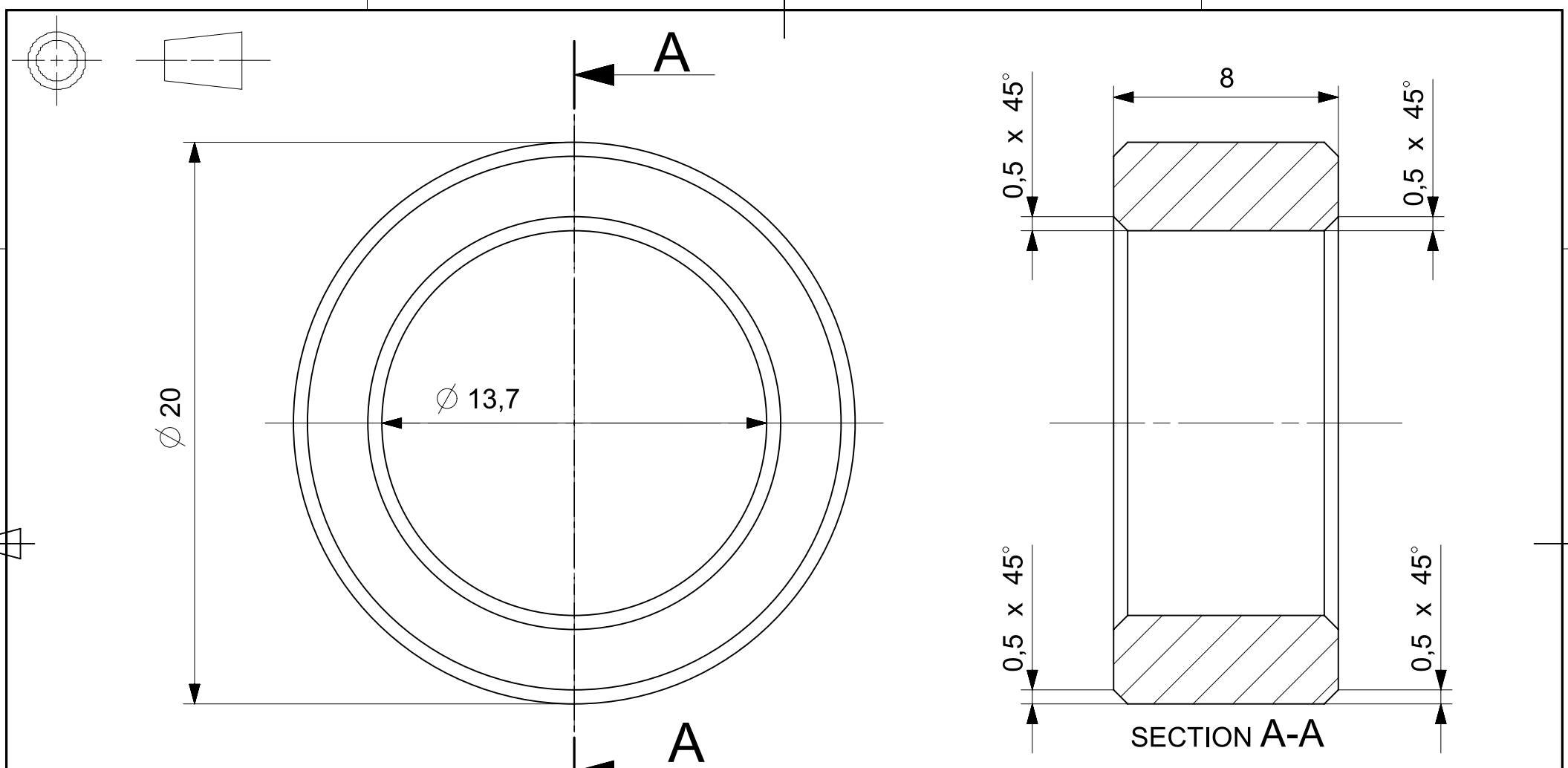
SHEET REV

A

ALL DIMENSIONS IN MM

SCALE 1:1

SHEET 1 OF 1



SIEMENS		THIS DRAWING HAS BEEN PRODUCED USING AN EXAMPLE TEMPLATE PROVIDED BY SIEMENS PLM SOFTWARE		
		FIRST ISSUED	15.08.2013	TITLE
DRAWN BY	Lahnstein	Distanzhülse		SHEET REV
CHECKED BY				
APPROVED BY		SIZE	DRG NO.	A
		A4	Distanzhülse	A
		SCALE 1:1	SHEET 1 OF 1	

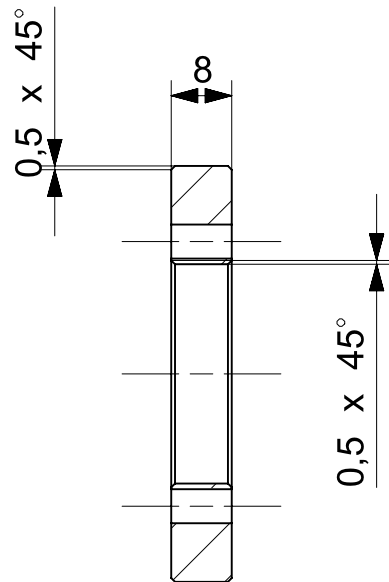
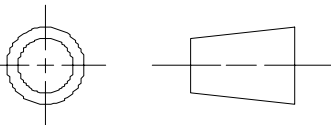
ALL DIMENSIONS IN MM

1

2

3

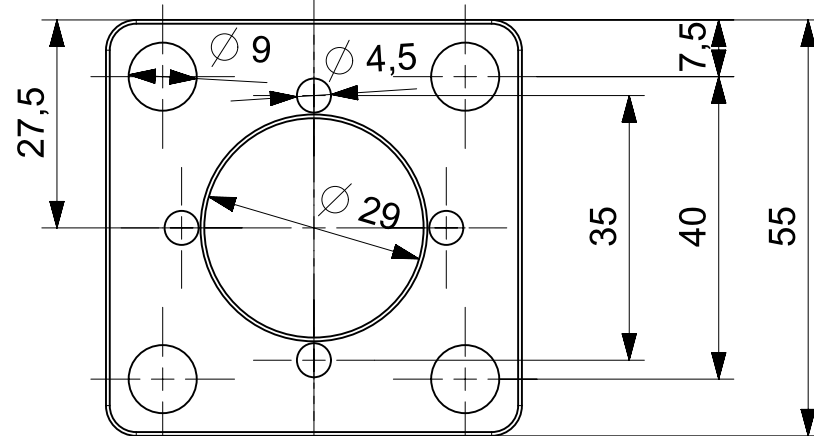
4



SECTION A-A

A

A



A

B

C

D

SIEMENS

THIS DRAWING HAS BEEN PRODUCED USING AN EXAMPLE
TEMPLATE PROVIDED BY SIEMENS PLM SOFTWARE

FIRST ISSUED 18.08.2013

DRAWN BY Lahnstein

CHECKED BY

APPROVED BY

TITLE

Adapter zur Befestigung des Motors

SIZE DRG NO.

A4

Motorflansch

SHEET REV

A

ALL DIMENSIONS IN MM

SCALE 1:1

SHEET 1 OF 1

1

2

3

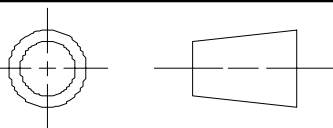
4

1

2

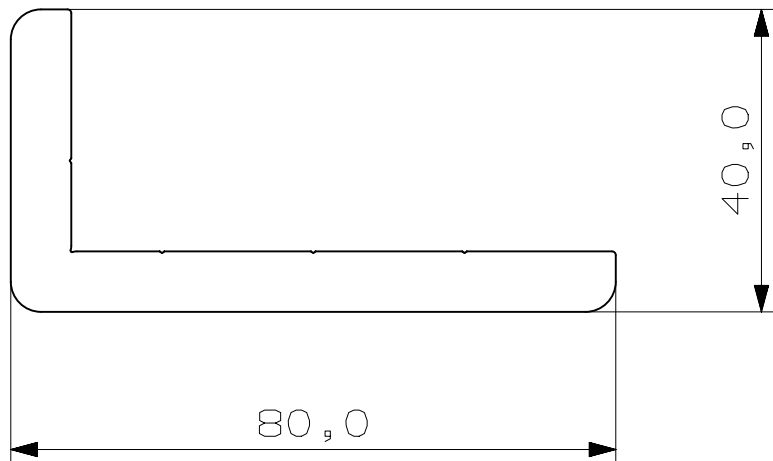
3

4



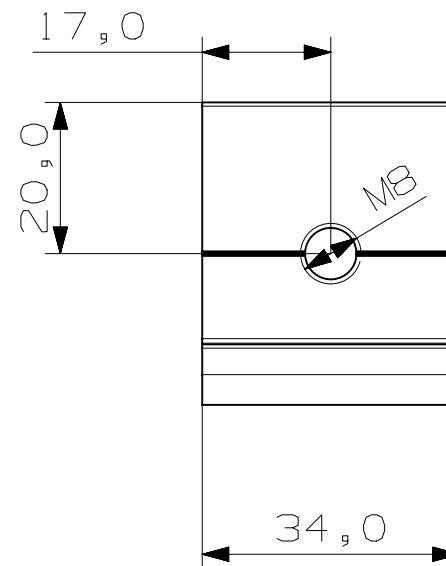
A

A



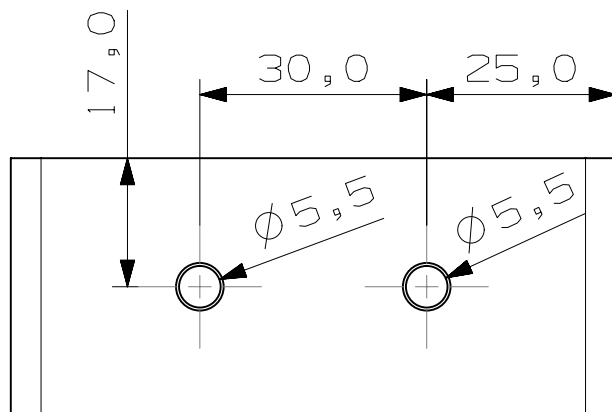
B

B



C

C



D

D

SIEMENS

THIS DRAWING HAS BEEN PRODUCED USING AN EXAMPLE
TEMPLATE PROVIDED BY SIEMENS PLM SOFTWARE

FIRST ISSUED 20.05.2013

DRAWN BY Lahnstein

CHECKED BY

APPROVED BY

TITLE

SIZE DRG NO.

SHEET REV

A4

W80x40x8x34_stp

A

SCALE 1:1

SHEET 1 OF 1

ALL DIMENSIONS IN MM

1

2

3

4

1

2

3

4

A

A

B

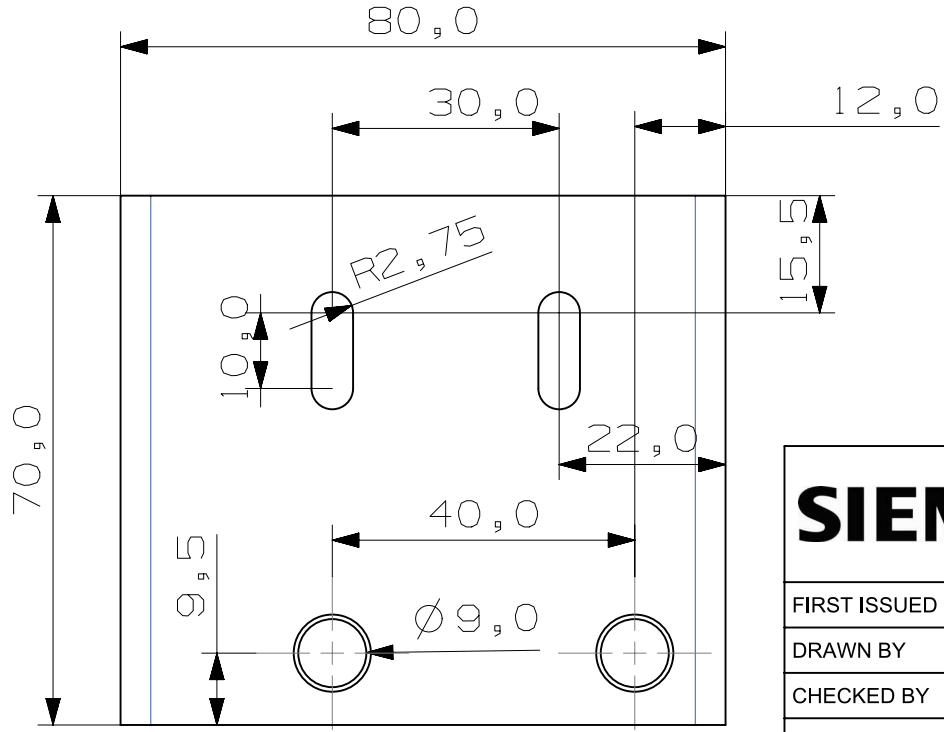
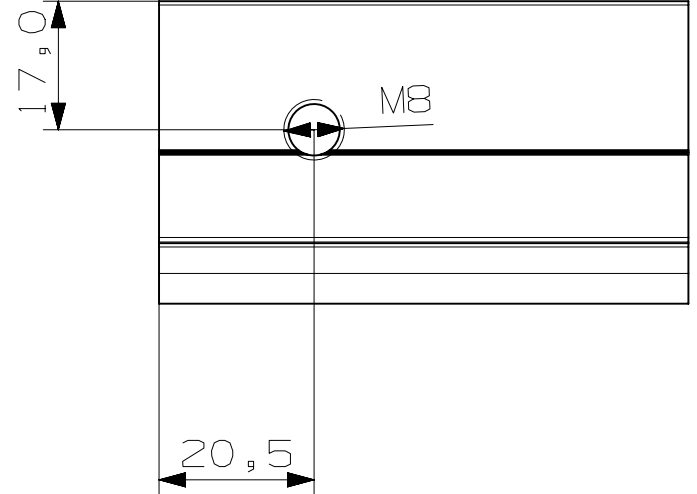
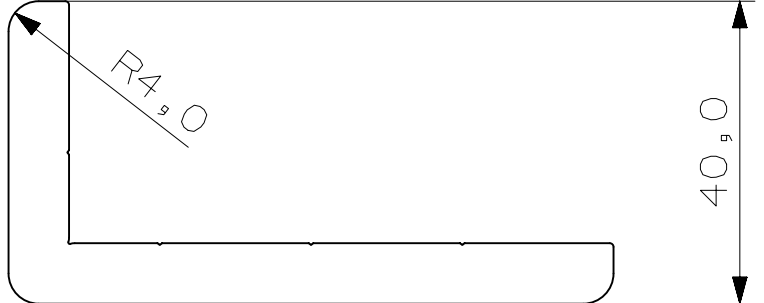
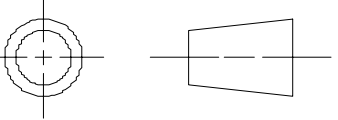
B

C

C

D

D



SIEMENS

THIS DRAWING HAS BEEN PRODUCED USING AN EXAMPLE TEMPLATE PROVIDED BY SIEMENS PLM SOFTWARE

FIRST ISSUED 25.08.2013

DRAWN BY Lahnstein

CHECKED BY

APPROVED BY

TITLE

Winkel zur Aufnahme der Feder

SIZE DRG NO. SHEET REV

A4 W80x40x8x70_stp A

SCALE 1:1 SHEET 1 OF 1

ALL DIMENSIONS IN MM

1

2

3

4